

BAT® Truss System

The BAT® Truss is a “low pro” truss. It is 15” tall, has an open bottom, and comes in two widths, 24-inch and 30-inch. It is available in black or natural and it is available in multiple lengths, such as 8-ft and 10-ft. BAT Truss is extremely versatile. It can be used as pre-rigged truss for automated lights. It can accommodate small automated fixtures such as the VL5® and utilizing its innovative truss cart and adjustable hang pipes, it can also handle larger fixtures like PRG’s Bad Boy®. The height of the truss cart is variable and it has been designed to fold flat, so the carts can stack. This reduces the amount of space required to store the carts when not in use. The carts are available with custom shock protection to mitigate the vibration commonly experienced during transport. Like the carts, the hang pipes are also highly flexible. The structural cross members of the truss contain a Unistrut track. This allows users to position multiple pipes, in any position, within the truss.

BAT Truss also uses rotating spigot connections. The spigot connectors give the truss a high load rating and allow users to create unique configurations without requiring corner blocks or hinges. Users can create towers by positioning the truss vertically. A 30-ft vertical tower can be created using only 10-ft of deck space by rotating the spigots vertically and pinning the truss as it is being hoisted into place.

In a truck, the 30-inch truss packs three wide and the 24-inch truss packs four wide. BAT Truss can also be stacked and pinned together for increased safety while loading and unloading from a truck. Pre-rigged, BAT Truss can be stacked as much as three high, depending on the type of fixture.



Features

- TRUSS:**
- Material: Aluminum 6061-T6 & stainless steel
 - Rotating omni-fork connection
 - Adjustable mounting bars for conventional or moving lights
 - Removable stacking cup
 - Available gates allow flexible designs
 - Space saving 15” high design allows for easy fixture pack
 - High load capacity
 - Ideal for touring or any venue
- CART:**
- Material: Aluminum 6061-T6
 - Allows ample working area for fixtures
 - Available custom spring dampening unit
 - Cart folds away and stacks

BAT Truss 24 Loading Specifications:

SPAN (ft)	SWT (lb)	UNIFORM DIST. LOADS		CENTER POINT LOADS	
		(lb)	Max. Deflection (in)	(lb)	Max Deflection (in)
10'	134	7,050*	0.10	7,050*	0.15
20'	268	7,460**	0.75	3,730	0.61
30'	402	4,750	1.69	2,375	1.38
40'	536	3,314†	3.00	1,657	2.48
50'	670	1,794†	3.75	897	3.21
60'	804	906†	4.50	453	4.02

ATTENTION! Loading figures show MAXIMUM LOADS between supports in addition to SELF WEIGHT of truss.

BAT Truss 30 Loading Specifications:

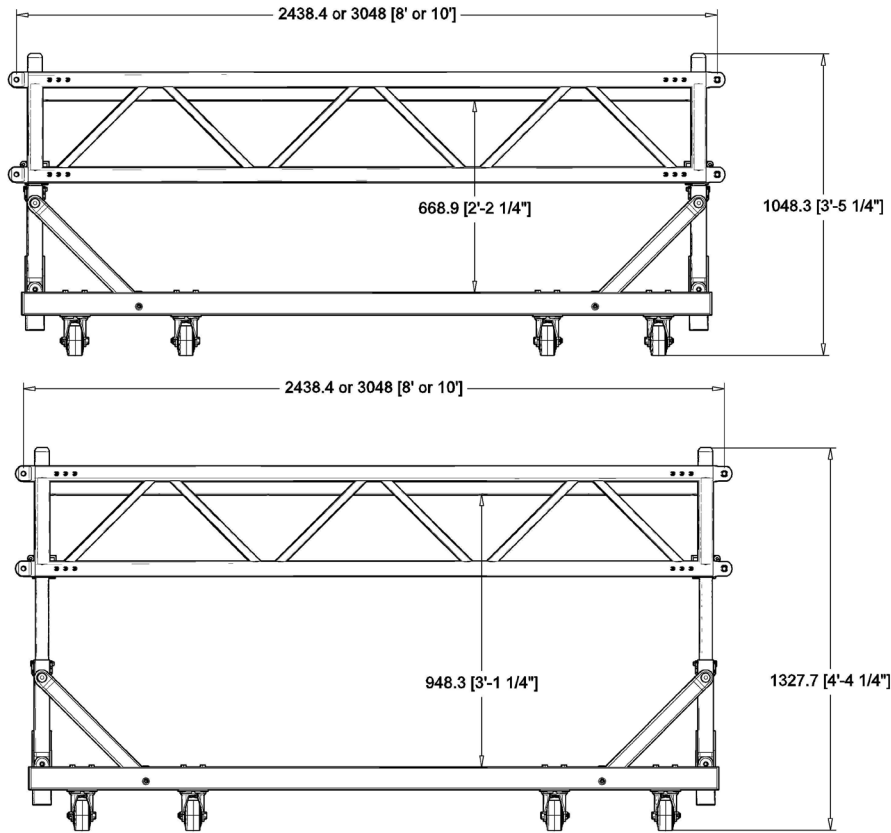
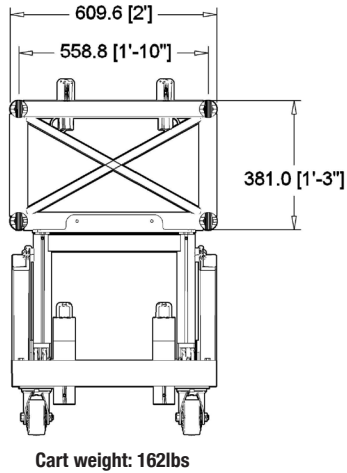
SPAN (ft)	SWT (lb)	UNIFORM DIST. LOADS		CENTER POINT LOADS	
		(lb)	Max. Deflection (in)	(lb)	Max Deflection (in)
10'	144	7,050*	0.09	7,050*	0.14
20'	288	7,450**	0.80	3,750	0.59
30'	432	4,760	1.73	2,380	1.41
40'	576	3,320	3.07	1,660	2.55
50'	720	1,720†	3.75	860	3.22
60'	864	820†	4.50	410	4.06

ATTENTION! Loading figures show MAXIMUM LOADS between supports in addition to SELF WEIGHT of truss.

* Denotes load limited by maximum Unistrut capacity
 ** Denotes load limited by maximum shear capacity
 † Denotes load limited by maximum deflection of span/160

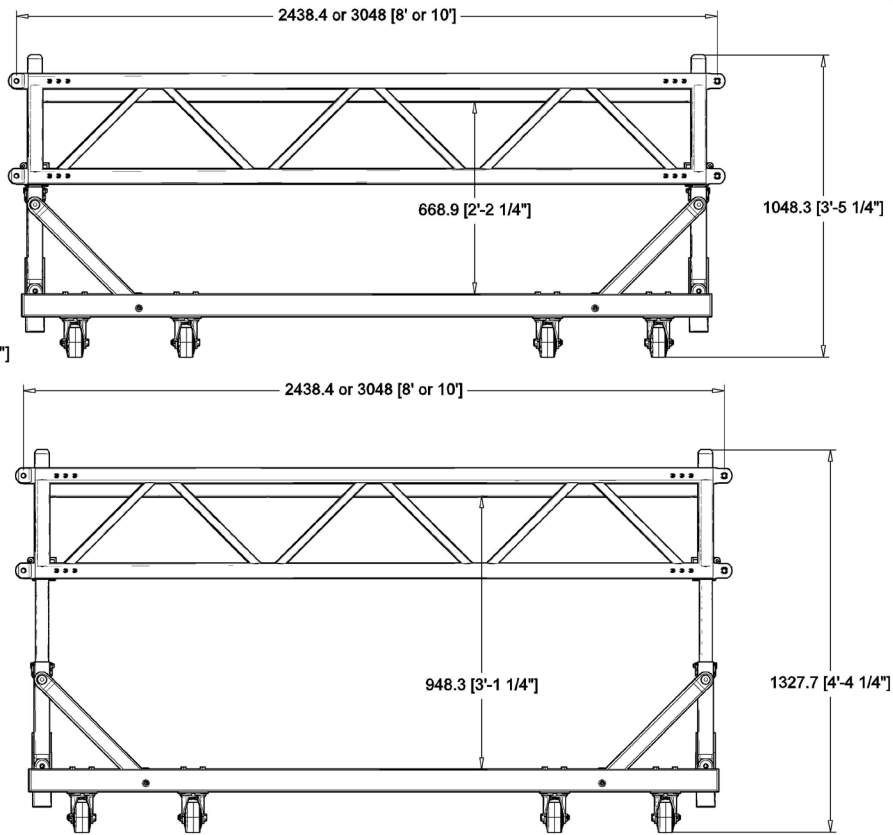
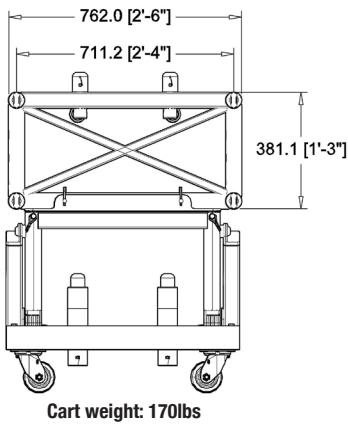
BAT® Truss Dimensions

BAT Truss 24 Dimensions*



* NOTE: Available in black and natural

BAT Truss 30 Dimensions*



* NOTE: Available in black and natural

-
- TOKYO
 - SHANGHAI
 - MELBOURNE
 - SYDNEY
 - ADELAIDE
 - LONDON
 - BIRMINGHAM
 - MAIDSTONE
 - HAMBURG
 - COLOGNE
 - FRANKFURT
 - MUNICH
 - BERLIN
 - DÜSSELDORF
 - BRUSSELS
 - PARIS
 - UTRECHT
 - MADRID
 - ZURICH
 - CAPE TOWN
 - BUENOS AIRES
 - NEW YORK
 - NEW JERSEY
 - WASHINGTON DC
 - TORONTO
 - DETROIT
 - CHICAGO
 - DEKALB
 - ATLANTA
 - ORLANDO
 - NEW ORLEANS
 - DALLAS
 - DENVER
 - LAS VEGAS
 - LOS ANGELES

WWW.PRG.COM

BAT® TRUSS IS A REGISTERED TRADEMARK OF PRODUCTION RESOURCE GROUP.

©2012 PRODUCTION RESOURCE GROUP, LLC. ALL RIGHTS RESERVED. SPECIFICATIONS ARE SUBJECT TO CHANGE WITHOUT NOTICE. VERSION: FEBRUARY 2012