

# ICON BEAM

The Icon Beam is a compact beam luminaire that offers rapid, fluid movement with a tight ACL beam. With its 280W Philips Platinum 14R lamp, it produces 10,000 Lumens, (>100,000 Lux @ 20m). Features include 2 prisms, 8 rotating gobos, 12 fixed gobos, 13 colors on a color wheel, smooth dimming, frost, and high speed strobe for creative control. Direct Art-Net input and DMX512 (3 modes) is available for control. The Icon Beam is a small luminaire that is fast, flexible, and responsive.



The Icon Beam is available exclusively from **PRG**

## Features:

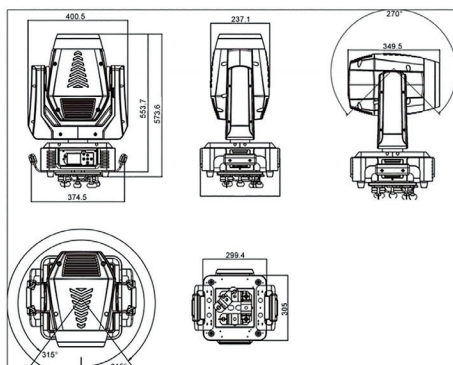
- Philips Platinum 14R Lamp (280W)
- >100,000 Lux @ 20m
- Super Narrow ACL Beam
- 8+ Open Indexable Rotating Gobos
- 12+ Open Fixed Gobos
- 2 Prisms (5 Facet & 8 Facet)
- 13+ Open Fixed Colour Wheel
- Split Colours
- Drop-In Frost
- Ultra-Fast Pan/Tilt Movement
- DMX512 & Art-Net Input Control
- Can be mounted in any position
- 20mm fixture to fixture spacing

## Metal Gobos:

Material: 1060 Aluminium/ 0.5mm thickness  
 Outer Diameter: 14mm  
 Image Diameter: 6mm

## GLASS GOBOS:

**NOT RECOMMENDED TO USE GLASS GOBO!**



## Technical Specifications:

Lamp	Philips Platinum 14R
Colour Temperature (K)	7,500K
Beam Angle	1°
Lumens Output	10,000 lumen
Nominal Lifetime	750 hours
Colour Wheel	13+Open
Frost	1 (Drop-In)
Focus	Adjustable Focus
Rotating Gobo	8+Open
Indexing Gobo	Yes
Fixed Gobo	12+Open
Prism	2
Indexing	Yes
Shutter/Strobe	Variable, max 13 Flash/Sec
Dimmer	0-100%/16bit
Pan/Tilt Movement	540°/270°
DMX Control Modes	3 (15, 17, 21 CH)
Art-Net	Yes
RDM	Yes
Self-Charging Battery	Yes
Cooling System Monitoring	Yes
Tilt Lock	Yes
Power AC	100-240V, 50/60Hz
Operating Temperature	-20 to 40° C
Certification	CE, cETL
Weight (kg/lbs)	22kg/44lbs
Dimensions LxWxH (mm)	374x319x573

Distance	0m	5m	10m	15m	20m	25m
			130.000 Lux	65.000 Lux		
		200.000 Lux		97.000 Lux		