



# Best Boy LED Spot Luminaire

The PRG Best Boy LED Spot is a precision-engineered automated luminaire; with an all-inclusive feature set without compromising output or performance. Best Boy LED is an upgraded version of the Best Boy HP. By replacing the lamp and reflector with a high wattage cool white LED Engine, the Best Boy LED produces over 30,000 lumens, matching the output of the Best Boy HP, while expanding the voltage range to 100-270VAC.

The most advanced automated lighting fixture available, the Best Boy LED is purpose-built to be the ultimate designer's tool with high output and a feature set that includes shutters and an iris, superior speed, and unmatched optical clarity.

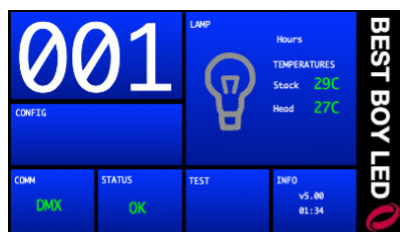
With a beam size iris that works hand in hand with the 8:1 zoom and framing shutters, the Best Boy LED offers the maximum beam versatility in a single automated fixture. Using servomotors in critical areas throughout the unit guarantees that movements and functions are precise, with fluid control over both rapid and slow movements.

The Best Boy LED produces an even, clean white beam with no green tint and no hot spots. Best Boy LED's CMY color-mixing system offers strong saturated colors as well as a wide array of tints and lighter hues; a seven-color designer wheel includes a superior UV filter for blacklight effects.

The upgraded color correction wheel lets designers match color temperature from 7,000K to 3,000K. The Best Boy LED upgrade also includes a new 8 Facet Image Multiplying Prism that, combined with the additional new gobo patterns, gives designers a whole new world of gobo effects. The workhorse high-definition optics still maintain edge-tracking of gobos for clear focus throughout the entire zoom range (8°-64°).

## Built-In LCD Touch Screen

Best Boy LED features a built-in LCD touchscreen display which provides access to control, configuration, status, and testing functions.



Sample Menu Screen

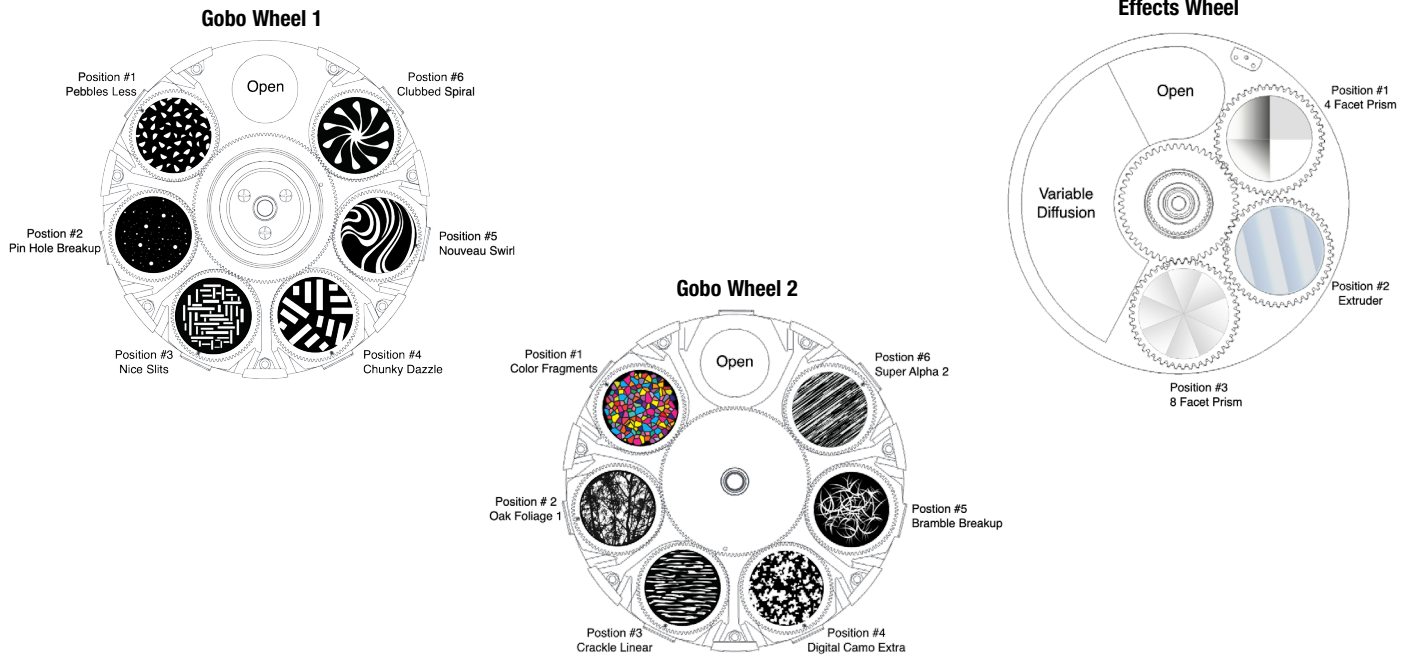


## Features

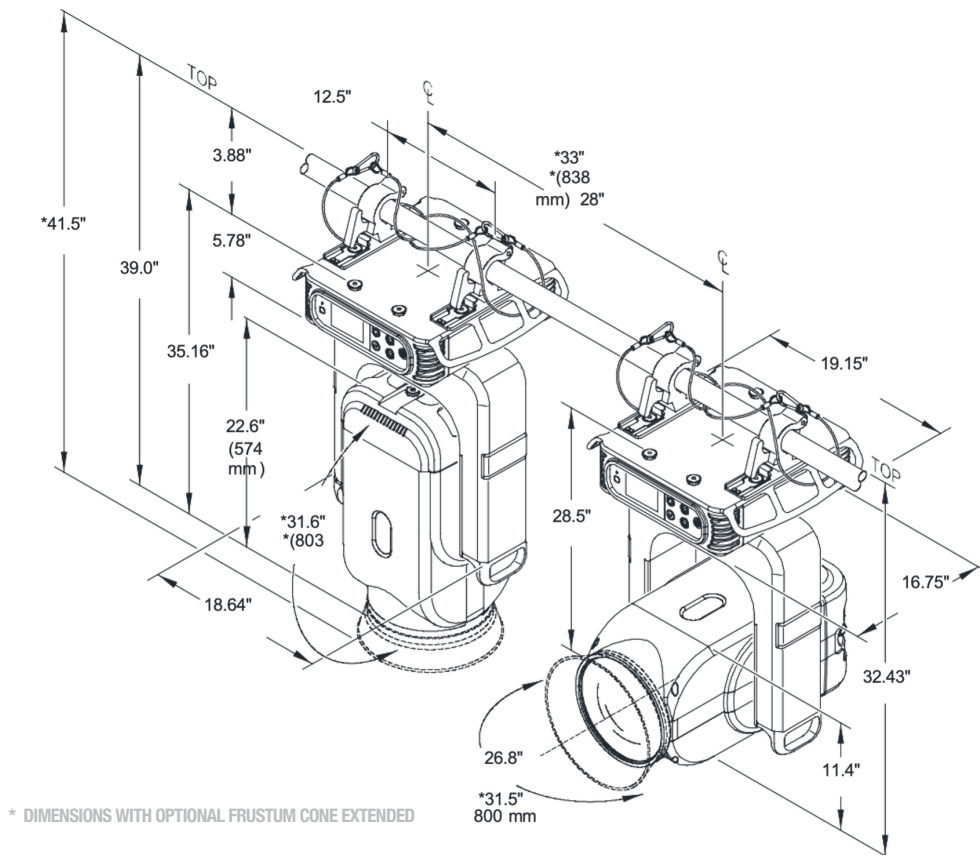
<b>SOURCE:</b>	850W Cool White LED Engine
<b>OUTPUT:</b>	30,000+ lumens
<b>COLOR TEMPERATURE:</b>	7,000K
<b>ZOOM RANGE:</b>	8:1 from a tight spot of 8° to a wide flood of 64° maintaining focus throughout
<b>IRIS:</b>	Mechanical iris provides continuous beam size control for both rapid changes and smooth, timed beam angle changes
<b>FRAMING:</b>	Four-blade framing system features four, independent blades mounted in two planes. Each blade can be tilted +/- 30° and the entire frame system can be rotated +/- 60° for a total travel of 120°
<b>DIMMING:</b>	Electronic dimming with accurate slow-speed control and fast bumps
<b>STROBE:</b>	Lightning fast electronic strobe
<b>PRISMS:</b>	Multiplying four-facet, Image extruding, Multiplying eight-facet
<b>FROST:</b>	Fully variable, light to heavy.
<b>COLOR:</b>	CMY color system featuring crossfading color wheels of Cyan, Magenta, and Yellow, plus a designer wheel with seven (7) user-changeable color filters
<b>COLOR CORRECTION:</b>	Adjustable color correction wheel, 7,000K to 3,000K.
<b>ROTATING GOBOS:</b>	Two (2) indexable, rotating gobo wheels with six (6) glass gobos per wheel. Gobos are individually calibrated so the unit will automatically index the orientation of each gobo regardless of placement.
<b>PAN &amp; TILT:</b>	Pan - 615°, Tilt - 260° using three-phase, high-speed servomotors
<b>INTERFACE:</b>	Built-in LCD touchscreen display for on-board fixture control and feedback. On-board battery power for configuration without AC power.
<b>OPERATING TEMP:</b>	32° to 120°F (0° to 49°C)
<b>CONNECTIONS:</b>	TRUE1 Power Input, XLR 5pin In/Out, etherCON x2
<b>POWER RANGES:</b>	Auto-sensing voltage input, 100V-270V, 50/60HZ
<b>POWER DRAW:</b>	1000w; 9.09A at 110 V, 4.11A at 208V, 4.10A at 240V
<b>PROTOCOLS:</b>	Compatible with DMX512-A, RDM, sACN, and Art-Net sources.
<b>DMX CHANNELS:</b>	46 channels

# Best Boy LED Specifications

## Wheels



## Dimensions



**POSITIONING:**  
Can be mounted in any orientation

**SPACING:**  
Hangs on 33 inch (838 mm) centers with nose cone.

**WEIGHT:**  
110 lbs (50 kg) without hooks

BEST BOY IS A TRADEMARK OF PRODUCTION RESOURCE GROUP, LLC.

©2023 PRODUCTION RESOURCE GROUP, LLC. ALL RIGHTS RESERVED. SPECIFICATIONS ARE SUBJECT TO CHANGE WITHOUT NOTICE.

VERSION: JANUARY 2023