

SOFTWARE & FIRMWARE UPDATE



Product: GroundControl™ Followspot System

Manufacturer: PRG

Subject: Software & Firmware Upgrade

Bulletin No: RFS-006

Date: July 30, 2018

INTRODUCTION

GroundControl Followspot System Software & Firmware Upgrade

New software versions are available for the following GroundControl™ products:

- + GroundControl Followspot Controller Main Board (v3.13)
- + GroundControl Truss Box (v1.03)
- + GC Longthrow (v1.03)
- + GC Bad Boy (v1.00)
- + GC Best Boy (v1.00)

Summary of Changes

GC Main Board v3.13 change log [Current Release]:

- + In the event the user switches through multiple fixtures before engaging pan/tilt, software clears out the previous pan/tilt "release" offset whenever a different fixture is selected.
- + If pan/tilt are under console control when the selected fixture on the 4-way switcher is changed, software automatically removes the "engage pan/tilt" pop-up menu and set pan/tilt back to engaged
- + Increase 4-way and truss box ping timeouts from 5s to 30s to avoid erroneous ping timeout issues and only catch problematic issues
- + Add new Macro and Macro Rate channels to SuperRay DMX footprint

Note: Ensure to note unit configuration settings prior to update. Due to a fix in the handling of persistent data in this version, updating some units may result in altered controller configuration.

GC Switch Board v3.00 change log [Current Release]:

- + No changes.

GC Truss Box v1.03 change log [Current Release]:

- + Improvements to communication reliability between GC unit and fixtures

GC 4-Way v0.01 change log [Current Release]:

- + No changes.

GC Longthrow v1.03 change log [Current Release]

- + Implement "clear pan/tilt free/lock" command, which returns pan and tilt to its normal operating condition regardless of its former state
- + Add extra validation to control channel commands to ensure DMX glitches are not mistakenly interpreted as commands

GC Bad Boy v1.00 change log [Current Release]:

- + Ensure that lamp strikes after fans ramp if requested to do so
- + Use correct lamp hours limit for HP (which is now the same limit as non-HP)
- + Instead of using the comm loss setting in persistent data, fade to black 10s after loss of comm

- + Fix discrete gobo logic so wheel does not go to open too early
- + Turn off comm LED after 15 minutes of no activity
- + Fix break & MAB timing to make RDM comm more robust
- + Fix persistent data inequality errors that were causing lockups; this may cause the persistent settings to change, please check your luminaire settings after software load
- + Implement "clear pan/tilt free/lock" command, which returns pan and tilt to its normal operating condition regardless of its former state
- + Add extra validation to control channel commands to ensure DMX glitches are not mistakenly interpreted as commands
- + Do not force DMX address to be one of four splitter options; instead, allow user to enter any DMX address.

GC Best Boy v1.00 change log [Current Release]:

- + Ensure that fixture strikes once fans start if the user gave a strike command before the fans were ready
- + Fix discrete gobo logic so wheel does not go to open too early
- + When CTW goes home, send it to 50- which is open- not zero, which is minus green
- + Turn off comm LED after 15 minutes of no activity
- + Fix break & MAB timing to make RDM comm more robust
- + Fix persistent data inequality errors that were causing lockups; this may cause the persistent settings to change, please check your luminaire settings after software load
- + Implement "clear pan/tilt free/lock" command, which returns pan and tilt to its normal operating condition regardless of its former state
- + Add extra validation to control channel commands to ensure DMX glitches are not mistakenly interpreted as commands

Latest Software and Firmware Versions

The current firmware/software versions are shown in the Information menu. The latest versions are as follows:

FIRMWARE

Truss Box:
v1.03 11/6/2017 15:04

Switch Board:
v3.00 07/28/17 12:42

4-Way Switch:
v0.01 02/25/2016 10:08

SOFTWARE

GroundControl:
v3.13 7/3/2018 16:00

GC Bad Boy:
v1.00 7/26/2018 16:24

GC Best Boy:
v1.00 7/26/2018 15:06

GC Longthrow:
v1.03 5/8/2018 11:00

Note: You may need to update some of the devices if they do not match the latest versions.

DETAILS

Pan/Tilt Enable Screen -- GroundControl™ Main Controller

Utilizing a 4Way switch, when the user switches to the selected fixture, the controller pan/tilt will be disabled until re-enabled by tapping the controller screen. This allows for the user to adjust the controller so it is properly aligned with the position of the chosen switched luminaire.

If the fixture is switched and under full console control, the pan/tilt enable screen is ignored and pan/tilt control is immediately granted to the DMX console.



Figure 1-1: Pan/Tilt Enable Menu Screen Button

UPDATING SOFTWARE

Updating GroundControl Software

GroundControl software is updated using the two access ports (**Figure 1-2**) available on the underside of the Control Arm:

- + **Port 1 (DMX)** - used to load firmware into the Control Arm's Switch Board.
- + **Port 2 (Ethernet)** - used to load firmware into the Control Arm's main board, the GC Truss Box, and the GC luminaire (connected to the arm).

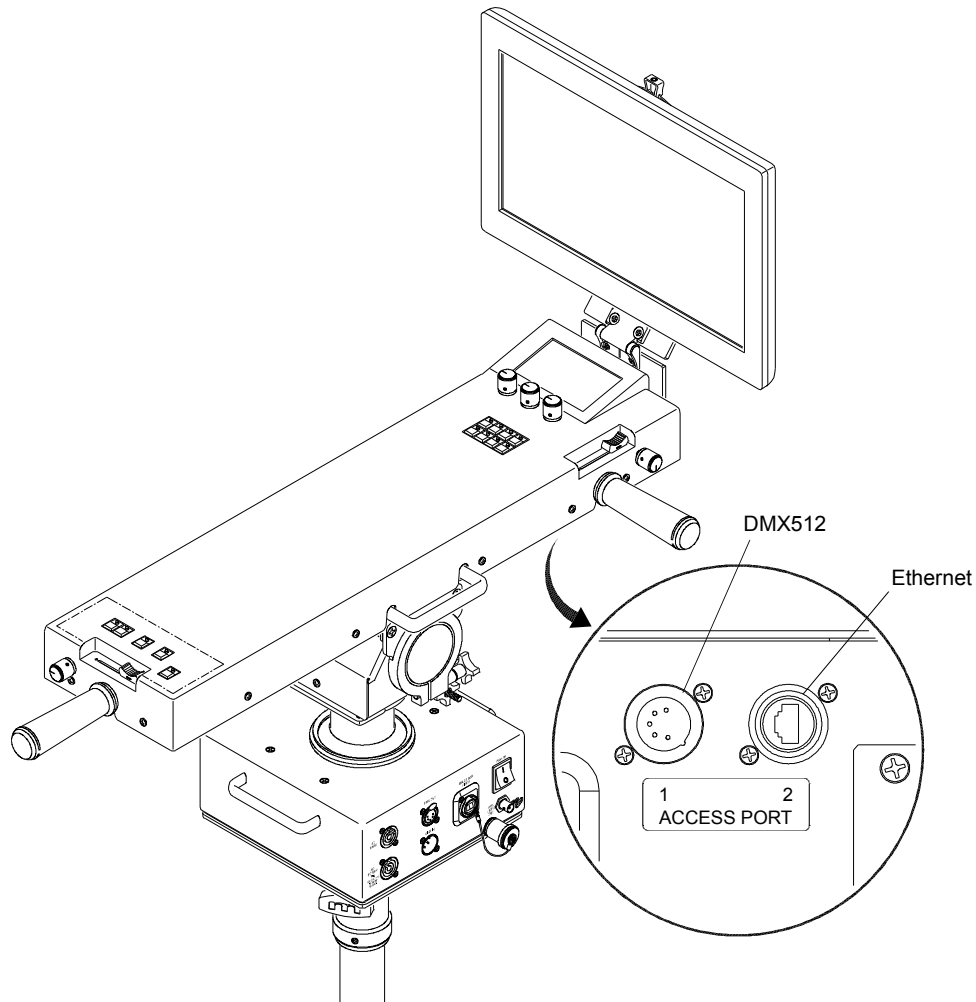
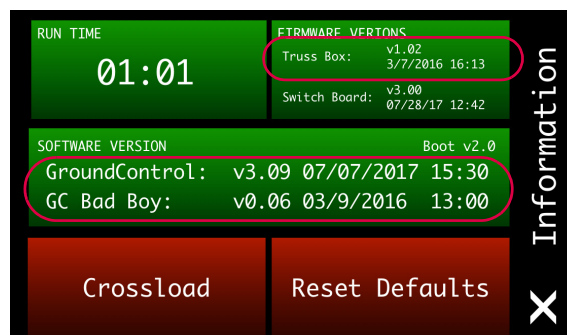


Figure 1-2: Access Ports

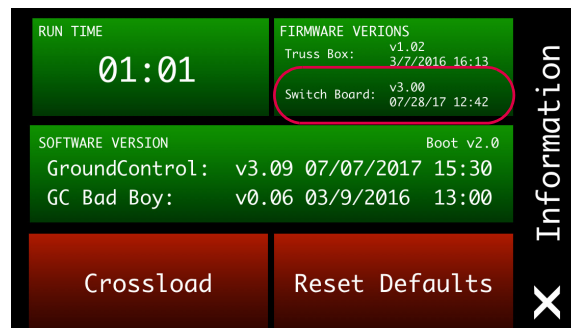
To update main board, truss box, 4Way switch or luminaire:

- Step 1. Connect Truss Box and Luminaire to GC Controller as normal.
- Step 2. Connect Ethernet cable between computer and Control Arm Access Port 2 (**Figure 1-2**).
- Step 3. Open required .jar file.
- Step 4. If computer has more than one Ethernet interface available, select appropriate network interface from drop-down menu. Ensure computer IP address is set within 10.66.x.x and subnet mask 255.255.0.0.
- Step 5. If updating main board, disconnect fiber from GC controller.
- Step 6. Click **Start Download** button. Touchscreen display will change to bootloader screen and show load progress.
- Step 7. Wait for download to complete.
- Step 8. After download, the updated version can be verified in the Information menu:



To update switch board:

- Step 1. Connect Ethernet cable between computer and PRG Node device or S400 System.
- Step 2. Connect XLR cable between Node / S400 and Control Arm Access Port 1 (**Figure 1-2**).
- Step 3. Open required .jar file.
- Step 4. If computer has more than one Ethernet interface available, select appropriate network interface from drop-down menu. Ensure computer IP address is set within 10.66.x.x and subnet mask 255.255.0.0.
- Step 5. Click **Start Download** button. Touchscreen display will change to bootloader screen and show load progress.
- Step 6. Wait for download to complete.
- Step 7. After download, the updated version can be verified in the Information menu:



Software Crossload

The Information menu provides a method for sending the current GC Main Board software to any connected Controllers. Controllers can be daisy-chained using the DMX512 ports located on the Control Arm interface panel.

Note: At the last Controller in the chain, install a male termination connector at the DMX OUT connector.

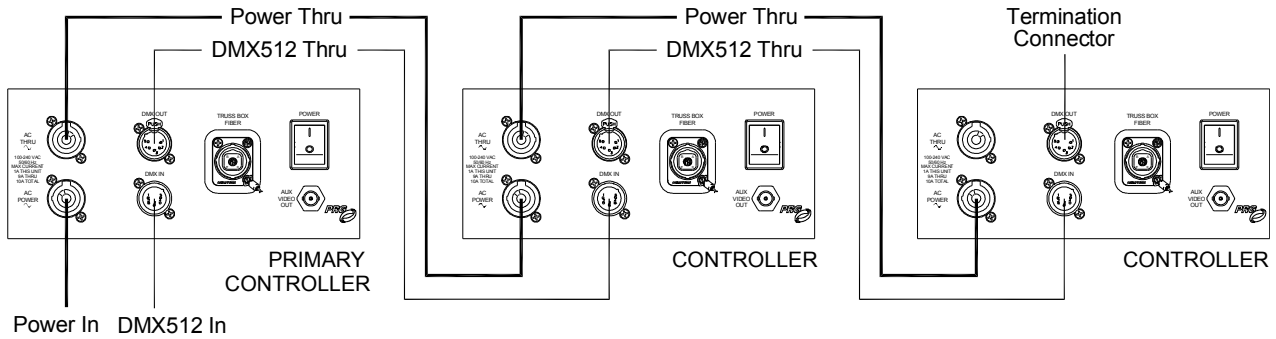
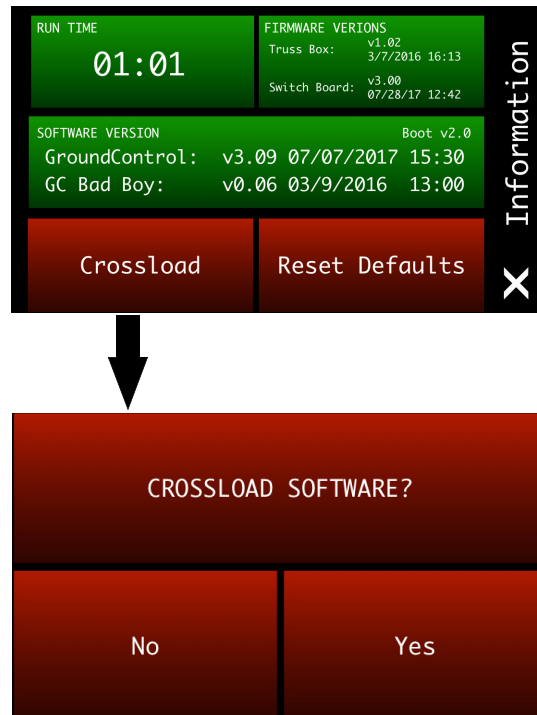


Figure 1-3: Example Daisy-Chain Configuration

To initiate the software crossload, press **Crossload Software** at the Information menu. At confirmation menu, press "Yes." If a connected Controller already has that software version, it will do nothing. If it does not have the same version, it will go into the boot screen and start updating.



Note: There should be no active control during the update process.