



Mbox® 2016 - Dual Output Media Server

The Mbox® 2016 Dual Output media server from PRG is the latest update to the Mbox rental platform. The Mbox 2016 server runs the all-new Mbox Designer v4 software and features a new Apple Mac Pro computer with customized input/output and an upgraded Dual IO Module.

POWERFUL FEATURES

The Mbox Designer v4 software has powerful real time rendering, built-in effects, and a true 3D environment. Mbox Designer is the most powerful offering in the Mbox family of software, allowing users to unlock the full potential of the Mbox product.

The hardware included with the Mbox 2016 server package includes everything you need for professional results: UPS-backed power, DVI and HD-SDI video output with Stage and Preview connections, Genlock input for synchronization, balanced audio input and output, and four HD-SDI video inputs.

Mbox can also output video information as pixel-mapped Art-Net, sACN, or KiNET to control LED fixtures or moving lights, allowing designers to create broad strokes of color and realistic video effects.

VERSATILE CONTROL

The Mbox system can be programmed and operated directly from Art-Net, sACN, or DMX512-based moving light consoles, allowing ease of coordination between video/image effects and lighting cues. It can also be run via the Mbox Director GUI application. Mbox's ease of use and speed of programming make it a favorite with both designers and programmers.

FLEXIBLE APPLICATION

The Mbox system can be used in a variety of applications from displaying custom logos at tradeshows to incorporating subtle backgrounds for broadcast television or high intensity cueing for live performances. The new Mbox v4 software allows for a flexible setup of multiple outputs and provides the performance to drive them all.



Hardware Features

- WHEELED TOURING RACK WITH UPS, DUAL IO MODULE, AND MAC PRO COMPUTER MOUNTED IN SONNET xMAC 19" CHASSIS
- APPLE MAC PRO SPEC - 3.0GHZ 8-CORE, 32GB RAM, DUAL D700
- 2TB OF STORAGE FOR CONTENT - ON TWO SSDs IN A RAID 0 CONFIGURATION
- ALL MBOX RENTAL SERVERS INCLUDE A 50GB LIBRARY OF STOCK VIDEO AND GOBO CONTENT
- STANDARD DUAL VIDEO OUTPUT CONNECTION TO MBOX DUAL IO MODULE
- DUAL IO MODULE FEATURES:
 - TWO VIDEO OUTPUTS, EACH WITH SIMULTANEOUS VIDEO CONVERSION (SINGLE-LINK DVI, 1.5G HD-SDI, AND VGA)
 - EACH VIDEO OUTPUT PROVIDES BUILT-IN D/A FOR DVI AND HD-SDI STAGE AND PREVIEW OUTPUTS, EACH WITH SEPARATE DIMMING CONTROL AND STATUS MONITOR FOR AUTOMATIC BLACKOUT
 - GENLOCK INPUT - ACCEPTS BOTH COMPOSITE (SD) AND TRI-LEVEL (HD) SYNC
 - INDEPENDENT EDID MANAGEMENT AND SPOOFING FOR EACH OUTPUT
 - CONVERSION OF TWO UNIVERSES OF DMX TO ART-NET
- MULTIHEAD ADAPTERS (DATAPATH, MATROX, ETC.) MAY BE CONNECTED* DIRECTLY TO MAC PRO FOR MORE OUTPUTS
- BLACKMAGIC DESIGN ULTRASTUDIO THUNDERBOLT DEVICES MAY BE CONNECTED* FOR ADDITIONAL VIDEO OUTPUTS
- FOUR LOW-LATENCY VIDEO INPUTS VIA HD-SDI, MORE MAY BE ADDED WITH BLACKMAGIC DESIGN ULTRASTUDIO THUNDERBOLT DEVICES*
- FOUR NETWORK INTERFACES FOR CONTROL INPUT, CONTENT SYNCING, MONITORING, PIXEL MAPPING OUTPUT, AND MORE
- 3-PIN XLR BALANCED/UNBALANCED AUDIO INPUT AND OUTPUT - FOR TIMECODE INPUT AND STEREO AUDIO PLAYBACK OUTPUT
- USB AUDIO INTERFACES MAY BE CONNECTED* DIRECTLY TO MAC PRO FOR MULTICHANNEL AUDIO OUTPUT
- CURRENT DRAW: MAXIMUM 10 A @ 100-120v, MAXIMUM 5 A @ 220-240v. [NOTE: SUPPLIED UPS IS PERMANENTLY SET FOR LOCAL VOLTAGE/FREQUENCY BUT COMPUTER AND DUAL IO MODULE ARE AUTO-SWITCHING]
- DIMENSIONS (L x W x H): 30" x 24" x 26", WEIGHT: 236 LBS

*REQUIRES ADDITIONAL HARDWARE



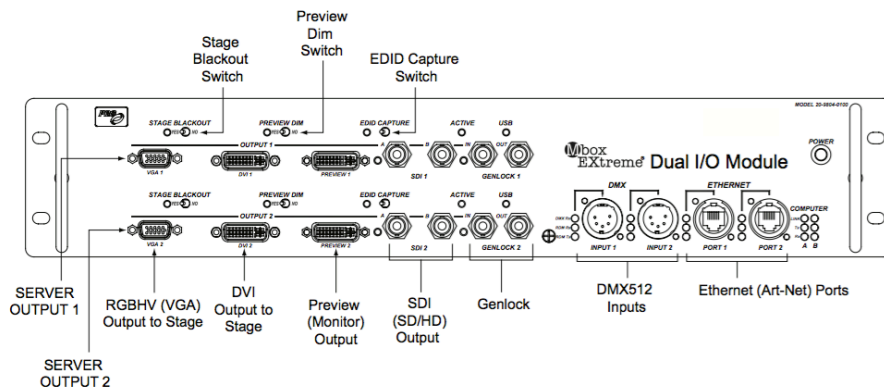
Mbox® 2016 - Dual Output Media Server

Mbox Designer v4.2 Software Features

- FULLY CUSTOMIZABLE VIDEO OUTPUT SETUP WITH UP TO 32 INDEPENDENTLY MASTERED OUTPUTS* PER SERVER
- 24 INTERACTIVE, SCALABLE LAYERS FOR STILLs, MOVIES, VECTOR GRAPHICS, OR 3D OBJECTS
- UP TO 65,535 2D STILLs/MOVIES AND UP TO 65535 VECTOR/3D OBJECT FILES
- UNLIMITED PIXEL MAPPING WITH GROUP CONTROL AND BUILT-IN MERGE FUNCTIONALITY
- MAPPING OF TEXTURES (STILL IMAGES OR VIDEOS) TO 3D OBJECTS AND DIGITAL GOBOS
- UP TO 32 FULLY INDEPENDENT OUTPUT MASTERS WITH OVERALL DIMMING, COLOR, EFFECTS, GEOMETRY, 3D CAMERA, KEYSTONE, AND SHUTTER
- VIDEO OUTPUT VIA STANDARD COMPUTER VIDEO OUTPUTS (DISPLAYPORT/HDMI/DVI) OR THROUGH BLACKMAGIC DESIGN DECKLINK AND ULTRASTUDIO THUNDERBOLT DEVICES
- SUPPORTS UP TO 8 LIVE VIDEO INPUTS* - BLACKMAGIC DESIGN DECKLINK AND ULTRASTUDIO THUNDERBOLT, ACTIVE SILICON PHOENIX, QUICKTIME STREAMS, USB, FIREWIRE
- MOVIE PLAYBACK USING INDUSTRY STANDARD APPLE QUICKTIME TECHNOLOGY (APPLE PRORES, Hap, P-JPEG, & H.264 CODECS)
- IMAGE SEQUENCE PLAYBACK (TIFF OR PNG)
- PERFECT PLAYBACK SYNCHRONIZATION BETWEEN OUTPUTS AND SERVERS WHEN USING MBOX MASTER CLOCK SYNC
- REAL-TIME CROSSFADES AND TRANSITIONS BETWEEN IMAGES AND VIDEOS ON THE SAME LAYER WITH MORE THAN 60 STOCK AND CUSTOM TRANSITIONS AVAILABLE
- OVER 125 BUILT-IN 2D AND 3D EFFECTS WITH FOUR EFFECTS PER LAYER AND TWO EFFECTS PER OUTPUT MASTER - COLOR MANIPULATION, BLUR, CROP, DISTORTION, KEYING, AND MORE
- OVER 35 MOVIE PLAYBACK MODES INCLUDING LOOP, BOUNCE, SYNC TO MASTER, SYNC TO TIMECODE, XFADE ON LOOP, AND KIOSK
- STEREO AND MULTI-CHANNEL AUDIO PLAYBACK WITH BOTH MASTER AND PER-LAYER VOLUME CONTROL
- INTERACTIVE SCENIC TRACKING FOR 2D SYSTEMS
- INTEGRATED CITP/MSEX FUNCTIONALITY FOR THUMBNAILS AND STREAMING VIDEO COMPATIBILITY WITH CONTROL CONSOLES AND VISUALIZERS (SUPPORTS STREAMS FROM OUTPUTS, LAYERS, AND MIXES)
- REMOTE MONITORING, CONFIGURATION, AND MEDIA SYNCHRONIZATION WITH THE USE OF THE MBOX REMOTE SOFTWARE
- CONTROL VIA ART-NET, SACN, DMX, OR BY GRAPHICAL USER INTERFACE - MBOX DIRECTOR, WHICH ALLOWS ON-SCREEN PROGRAMMING AND MANUAL, TIMELINE, OR REMOTE TRIGGERING USING MIDI, OSC, OR ART-NET
- IMAGE REMAPPING - 255 CONFIGURATIONS SELECTABLE IN REAL-TIME FOR CONFIGURING PIXEL PLACEMENT, SCALE, AND ROTATION. WITH REAL-TIME ADJUSTMENTS FOR EFFECTS OR SCENIC TRACKING
- SYPHON INPUT (UP TO 12) AND OUTPUT (GLOBAL SURFACE, ALL OUTPUTS, AND ALL LAYERS)
- 3D PROJECTION MAPPING - 3D ENVIRONMENT WITH POSITIONABLE VIEWPOINT (PER OUTPUT AND OBJECT), OBJECTS, AND LIGHTING FOR 3D PROJECTION

*MAY REQUIRE ADDITIONAL HARDWARE

Dual IO Module



Mbox Director Application

Mbox Director™, an application specifically written to control the Mbox software from a personal computer, can configure and control all aspects of the Mbox media content and playback, thereby eliminating the need for a lighting console. Director allows for straightforward control of Mbox through its user-friendly GUI while still giving access to the full range of Mbox control parameters.

Controllable Elements

GLOBAL MASTER:

- Intensity
- Pixel Mapping Intensity
- Audio Volume

OUTPUT MASTERING:

- Intensity, Color, Brightness & Contrast
- Effects
- 3D Camera
- Geometry
- Keystone
- Shuttering

LAYER:

- Opacity, Color, Brightness & Contrast
- Texture w/ Crossfade
- Object
- Play Mode
- Play Speed
- In/Out Frame
- Sync
- Aspect
- Frame Blending
- XYZ Position
- XYZ Scale
- XYZ Rotation and Spin
- Mix Select and Mode
- Blend Mode
- Image Remapping
- Effects
- Audio Volume
- Layer Timecode

WWW.PRG.COM

MBOX®, MBOX® STUDIO, MBOX® MINI, MBOX® DESIGNER, AND MBOX® EXTREME ARE REGISTERED TRADEMARKS OF PRODUCTION RESOURCE GROUP. ALL OTHER TRADEMARKS ARE PROPERTY OF THEIR RESPECTIVE OWNERS.

©2017 PRODUCTION RESOURCE GROUP, LLC. ALL RIGHTS RESERVED. SPECIFICATIONS ARE SUBJECT TO CHANGE WITHOUT NOTICE.

VERSION: v4.2 JUNE 21, 2017