



16U HAMMOND ENCLOSURE

UP TO 400AMP SERVICE

**SEVERAL TYPES OF CONNECTORS
AVAILABLE**

INDIVIDUAL BREAKERED OUTPUTS

CAM-LOK HOUSE TIE IN POINT

EATON POWER METER

Description

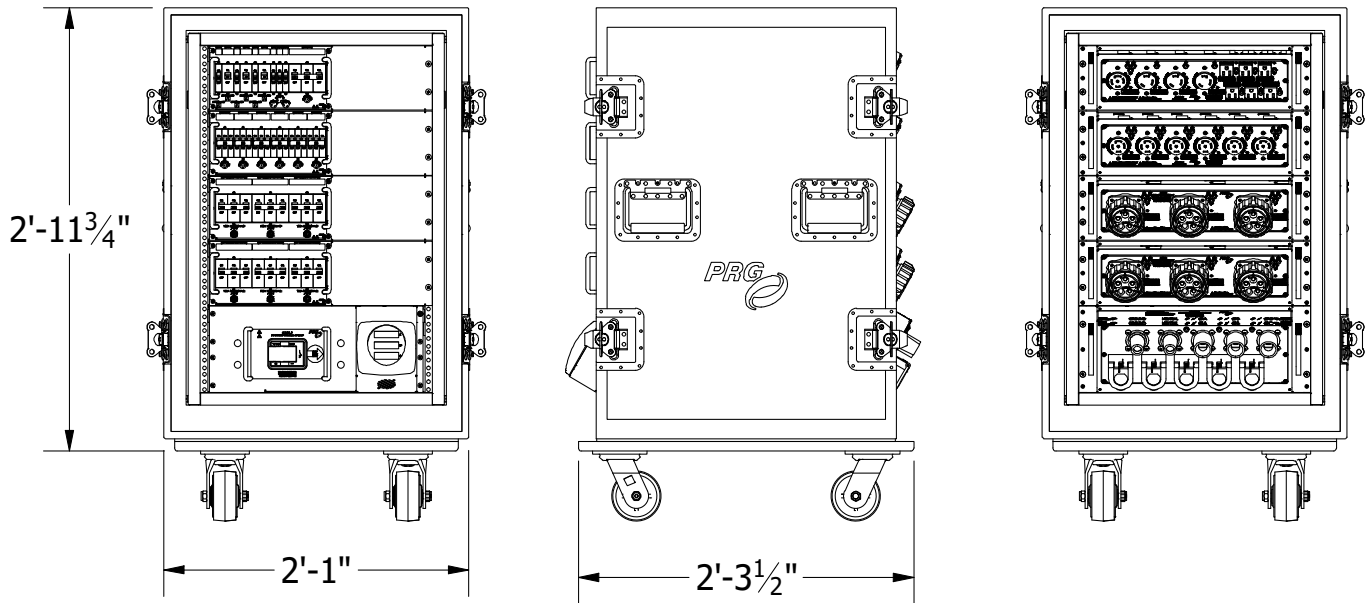
A new spin on a vital system component is the new PRG Power Distribution Insert (Insert PD) that allows users to build the PD to fit their needs.

Built into the familiar rack mount style, this PD comes standard with Cam-loks that connect to a variety of inserts. Each circuit includes its own breaker on the front panel along with an Eaton power meter to monitor power input. The included 400amp main breaker should be more than enough for any shows needs.



INSERT STYLE PD

SPECIFICATION SHEET



E-Code

26.969

Specifications

U.S. Customary

S.I.

Dimensions (WxHxL)

25 x 35.75 x 27.5 in

635 x 908.1 x 698.5 mm

Weight

200 lb

90.7 kg

Power Requirements

3-Phase 208-240VAC

Designed in New Windsor, NY, USA

prg.com

Copyright ©2023 PRG All Rights Reserved