



PERFORMER FLY REMOTE

SPECIFICATION SHEET



SIL 3 CAPABLE

ETHERNET BASED COMMUNICATION

DUAL DIRECTION JOYSTICK

**E-STOP AND FAULT RESET STATION
INTEGRATED INTO UNIT**

PERMISSIVE GO BUTTON

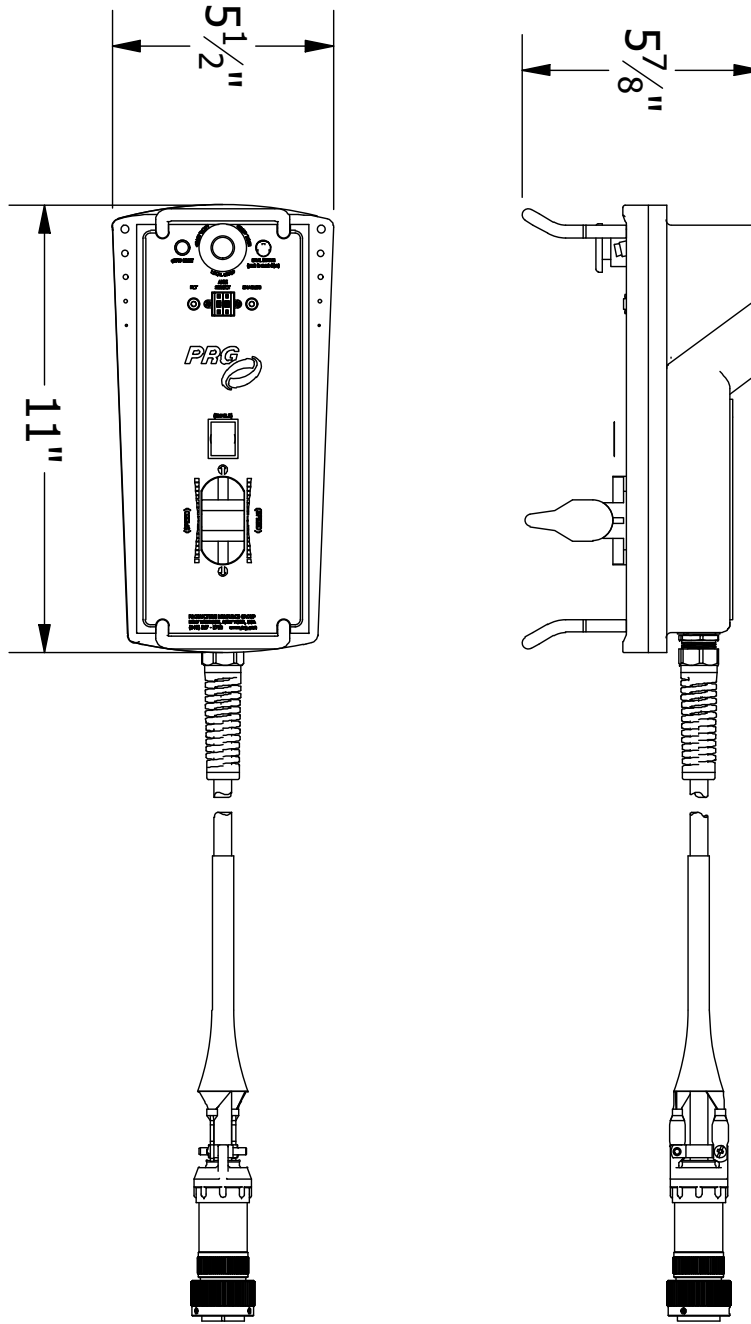
Description

The PRG Handheld Fly Remote is a single axis remote designed for ease of use when conducting performer flying. The remote allows the user to change direction of the axis without coming to a full stop via a dual direction job lever. An integrated E-Stop and Reset button is included should a controlled stop be necessary.



PERFORMER FLY REMOTE

SPECIFICATION SHEET



Specifications

U.S. Customary

S.I.

Dimensions (WxHxL)

5.5 x 5.88 x 11 in

139.7 x 149.4 x 279.4 mm

Weight

5 lb

2.3 kg

Power

24VDC via C401 - CLX Insert

Designed in New Windsor, NY, USA

prg.com

Copyright ©2023 PRG All Rights Reserved