



**SIL 3 CAPABLE**

**ETHERNET BASED COMMUNICATION**

**SERVO JOG CONTROL OF 8 AXIS**

**FWD-OFF-REV TOGGLE SWITCH FOR EACH AXIS**

**SINGLE MASTER "GO" SWITCH FOR ALL AXES**

**SINGLE SPEED POT CONTROL**

**INTEGRATED DISPLAY SCREEN SHOWS CURRENT FAULTS**

**E-STOP AND FAULT RESET STATION INTEGRATED INTO UNIT**

### Description

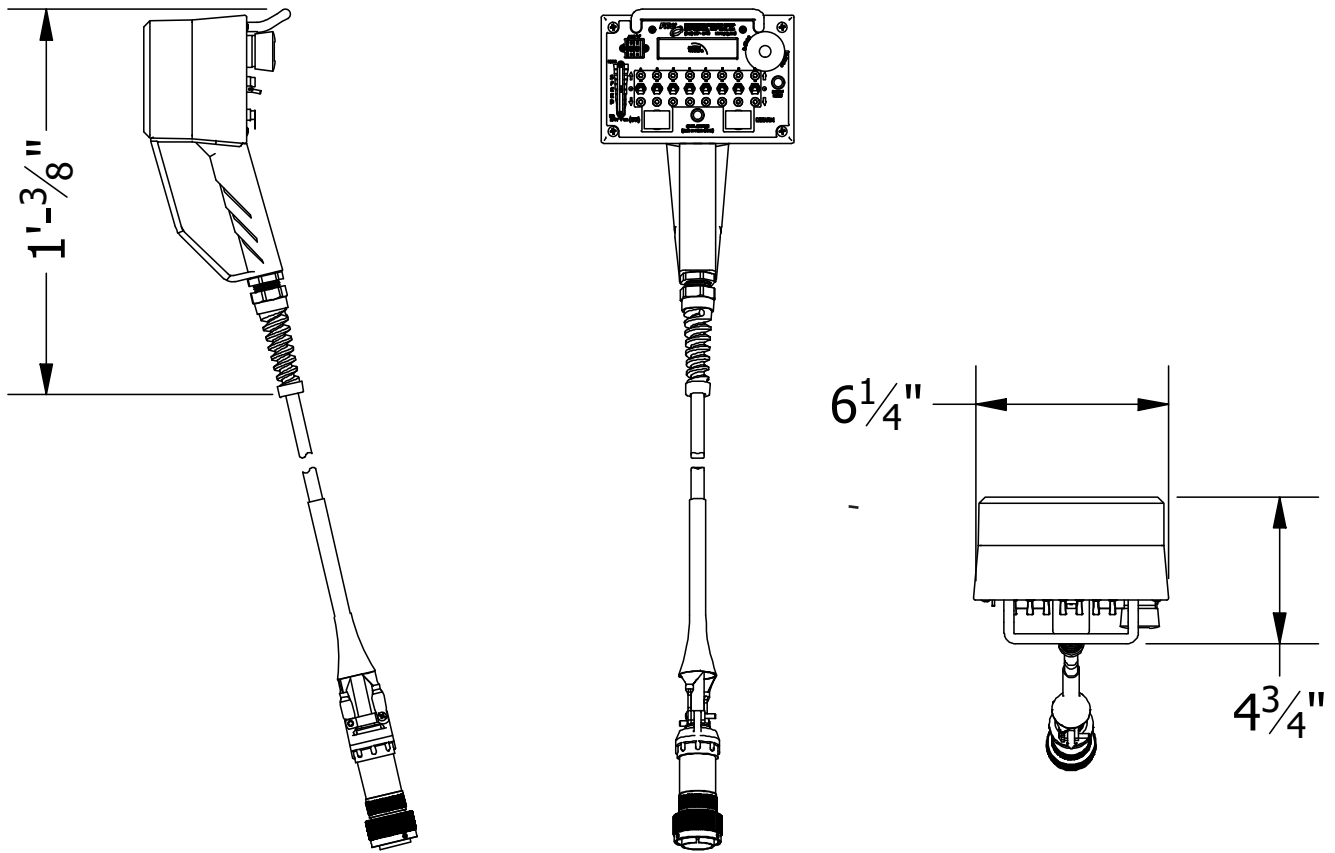
The 8-Axes Jog Remote, commonly referred to as "The Yellow Handle," allows an operator to control any of the 8 CLX axes through one convenient cable. The integrated LCD display allows the user to monitor any faulted axes and vital system information at a quick glance.

The selected 8 axes are capable of being controlled in both forward and reverse directions through the full speed range. A SIL rated E-Stop and reset button are included for controlled stops when necessary.



# 8X E-NET REMOTE

## SPECIFICATION SHEET



E-Code

26.96B7H-

### Specifications

### U.S. Customary

### S.I.

Dimensions (WxHxD)

6.32 x 12 x 4.75 in

160.5 x 304.8 x 120.7 mm

Weight

8 lb

3.6 kg

Power Requirements

24VDC via C402-CLX Insert

Designed in New Windsor, NY, USA

[prg.com](http://prg.com)

Copyright ©2023 PRG All Rights Reserved