

SIL 3 CAPABLE

ETHERNET BASED COMMUNICATION

TABLET STYLE INTERFACE FOR CUE-BASED SOFTWARE

BUILT FOR MOVEMENT OF UP TO FOUR EFFECTS

LIGHTWEIGHT AND PORTABLE

BUILT IN PERMISSIVE, E-STOP, AND RESET BUTTONS

INTEGRATED JOYSTICK

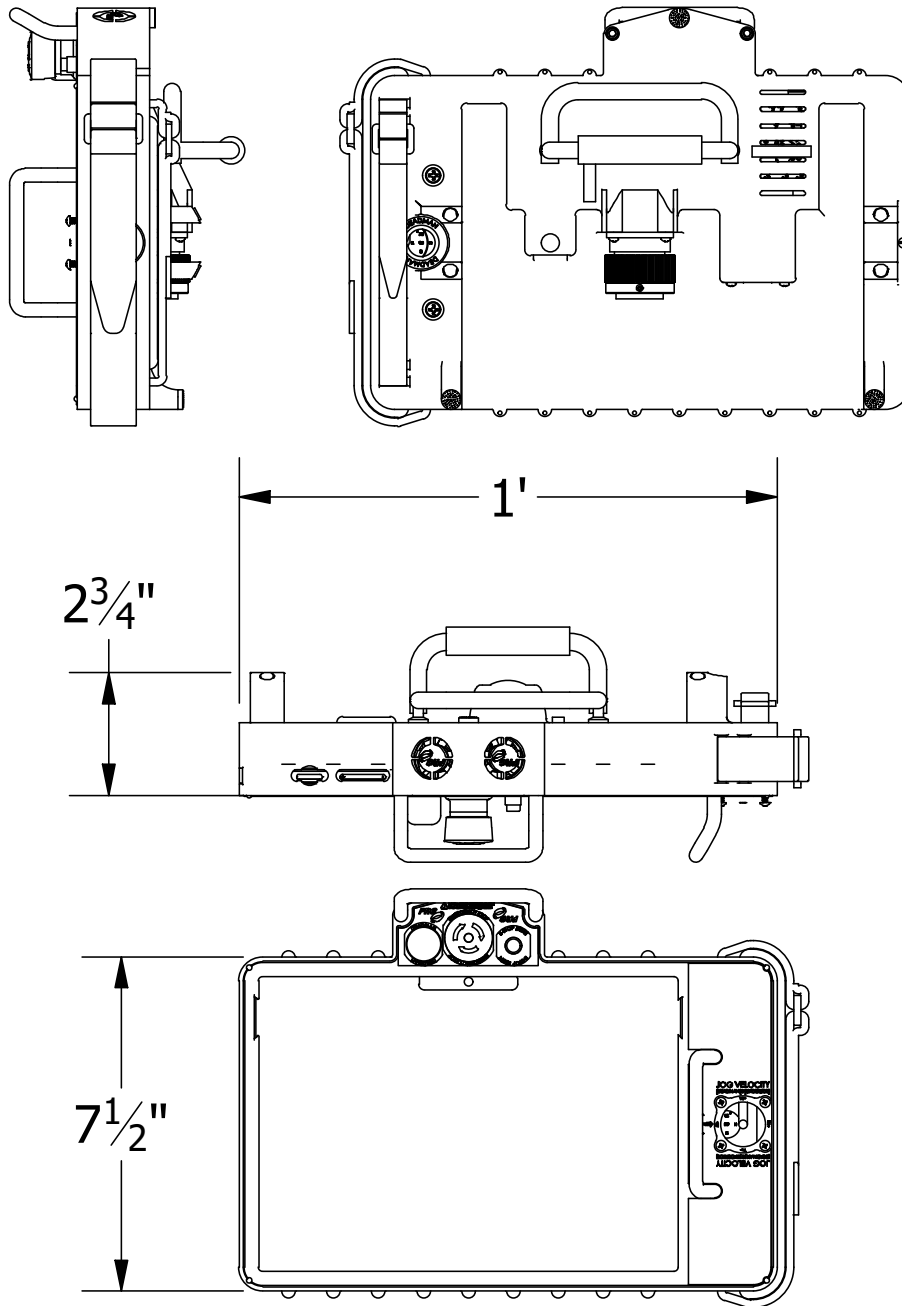
CAPABLE OF TIME BASED PROGRAMMING

Description

The SCS Go Tablet provides the same reliability and repeatability as PRG's V-Command, but in a much smaller, portable package. The PRG SCS Go Tablet is an ideal control solution for many small-scale motion control applications.

The all-in-one PC with integrated touch screen can control up to 4 effects. It is ideal for concert touring, corporate events, television and theatre. The console provides true time-based control of automation so the operator can, at any time, slow or stop a cue. Operators can program movements down to increments of 1/10th of an inch.

Built-in safety features include a prominent E-Stop button located on the front panel and a permissive movement button. Like the larger version, the SCS Go is used for automated control of closed-loop and open-loop devices commonly used in stage productions. Devices such as electric winches, hydraulic valves, pneumatics, on/off switches and chain motors can be controlled using the console's software features. Additional monitors are available upon request.



E-Code

26.96B7R-

Specifications

U.S. Customary

S.I.

Dimensions (WxHxL)

12 x 2.75 x 7.5 in

304.8 x 69.9 x 190.5 mm

Weight

10 lb

4.5 kg

Power Requirements

24VDC via C401 - CLX Insert

Designed in New Windsor, NY, USA